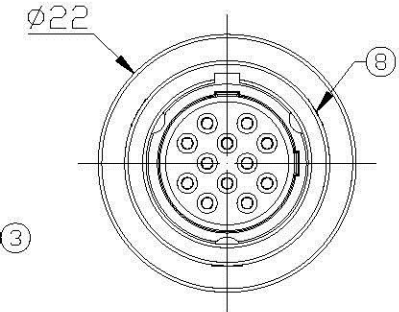
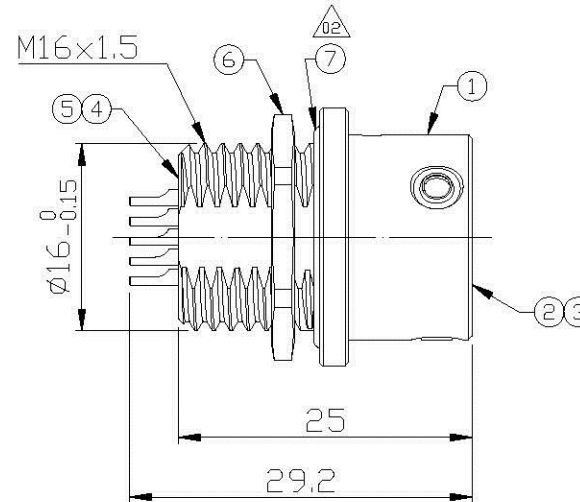
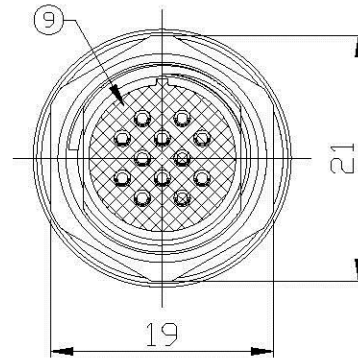


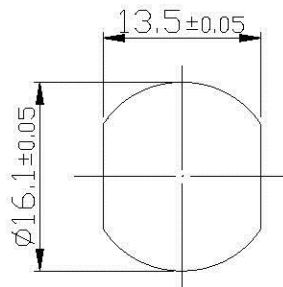
Notes: (Unless Otherwise Specified)

1. Waterproof Rate : IP68
2. Recommend Panel Thickness: 0,8 To 8,0 mm.
3. Recommend Torque: 15~16 Kgf-cm.
4. Durability: 100 Cycles Min.
5. DWV: 650 Vrms
6. Rated Voltage: 30V AC/DC
7. Insulation Resistance: 100 MΩ MIN.
8. 100% Matting Test.
9. RoHS Compliant.

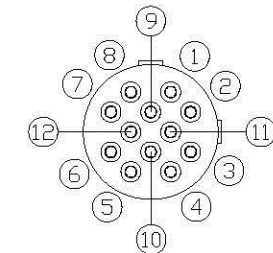
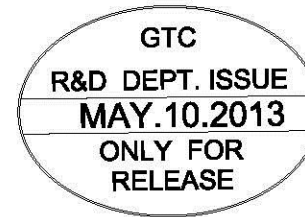
| REV | ECN#       | DESCRIPTION OF REVISION | DRAW BY DATE  | CHECK BY DATE | APPROVE BY DATE |
|-----|------------|-------------------------|---------------|---------------|-----------------|
| 01  |            |                         | Hank 04/18/13 | Ray 04/18/13  | Ray 04/18/13    |
| 02  | ECN-130503 | Change O-Ring & Redraw  | Hank 05/10/13 | Ray 05/10/13  | Ray 05/10/13    |



| Item | Part Name     | Material / Finish                 | Q'ty |
|------|---------------|-----------------------------------|------|
| 9    | Glue          | Epoxy<br>Color: Black             |      |
| 8    | Metal Ball    | SUS<br>Finish: -                  | 3    |
| 7    | O-Ring        | Silicone<br>Color: Gray           | 1    |
| 6    | Metal Hex Nut | SUS<br>Finish: -                  | 1    |
| 5    | Base          | Thermoplastic<br>Color: Black     | 1    |
| 4    | Contacts      | Copper Alloy<br>Finish: Au Plated | 12   |
| 3    | O-Ring        | Silicone<br>Color: Gray           | 1    |
| 2    | Housing       | Thermoplastic<br>Color: Black     | 1    |
| 1    | Metal Body    | SUS<br>Finish: -                  | 1    |



Recommend  
Panel Cut-Out



Pin Assignment

| TITLE Push Lock M16 Metal 2A 12P SUS303 Panel Rear Mount Female Solder |      |       |               |              |                | DRAWING NUMBER GT261200-02120 |                             | REV. 02 |       |
|--|------|-------|---------------|--------------|----------------|-------------------------------|-----------------------------|---------|-------|
|  | B    | 1:1   | Hank 04/18/13 | Ray 04/18/13 | Ray 04/18/13   | X.X ± 0.5<br>X.XX ± 0.2       | X.XXX ± 0.05<br>ANGLES ± 1° | MM      | 1/1   |
| THIRD ANGLE PROJECTION   | SIZE | SCALE | DRAW / DATE   | CHECK / DATE | APPROVE / DATE | TOLERANCES                    |                             | UNIT    | SHEET |

**All connectors**  
 www.allconnectors.de  
 Tel.: 0049 711 7009502  
 info@allconnectors.de  
 Fax: 0049 711 7009504  
 kettner@allconnectors.de

THE INFORMATION CONTAINED HEREIN IS THE PROPRIETARY PROPERTY OF GT CONTACT CO., LTD. THE POSSESSOR AGREES TO THE FOLLOWING:  
 (O) TO MAINTAIN THIS DOCUMENT IN CONFIDENCE  
 (D) NOT TO REPRODUCE OR COPY IT  
 (R) NOT TO REVEAL OR PUBLISH IT IN WHOLE OR PART  
 (V) ALL RIGHTS RESERVED